

# Product data sheet

## Characteristics

# 9001KS11B

## 30mm Push Button, Type K, selector switch, 2 position, black knob



Product availability: Stock - Normally stocked in distribution facility

Price\*: 53.00 USD



### Main

Range of product	Harmony 9001K
Product or component type	Selector switch
Device short name	K
Type of operator	Maintained
Operator profile	Black standard knob

### Complementary

Bezel material	Chromium plated metal
Mounting diameter	1.18 In (30 mm)
Operator position information	2 positions
Contacts type and composition	Without contact block
Device presentation	Basic element

### Environment

NEMA degree of protection	NEMA 1/2/3/3R/4/6/12/13
Product certifications	UL listed file E42259 CCN NKCR CE CSA LR24590 class 3211 03

### Ordering and shipping details

Category	21426 - 9001 K (NOT KA,KM,KX)
Discount Schedule	CS1
GTIN	03389118039957
Nbr. of units in pkg.	1
Package weight(Lbs)	4.32 Oz (122.47 g)
Returnability	Yes
Country of origin	MX

## Packing Units

Unit Type of Package 1	PCE
Package 1 Height	2.00 In (5.08 cm)
Package 1 width	2.30 In (5.842 cm)
Package 1 Length	2.80 In (7.112 cm)
Unit Type of Package 2	S01
Number of Units in Package 2	24
Package 2 Weight	7.16 Lb(US) (3.249 kg)
Package 2 Height	5.91 In (15 cm)
Package 2 width	5.91 In (15 cm)
Package 2 Length	15.75 In (40 cm)
Unit Type of Package 3	PAL
Number of Units in Package 3	1800
Package 3 Weight	497.00 Lb(US) (225.435 kg)
Package 3 Height	40.00 In (101.6 cm)
Package 3 width	40.00 In (101.6 cm)
Package 3 Length	48.00 In (121.92 cm)

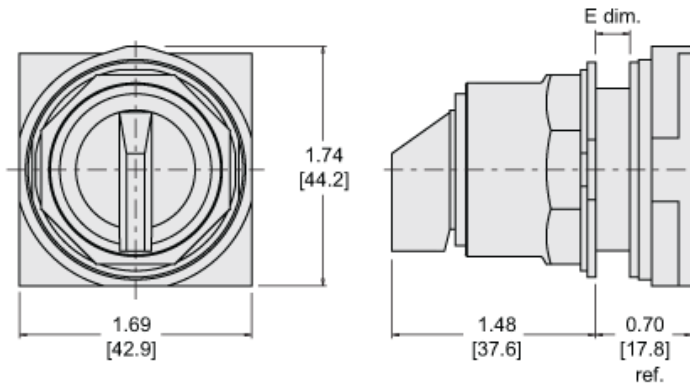
## Offer Sustainability

Sustainable offer status	Green Premium product
California proposition 65	WARNING: This product can expose you to chemicals including: Nickel compounds, which is known to the State of California to cause cancer, and Di-isodecyl phthalate (DIDP), which is known to the State of California to cause birth defects or other reproductive harm. For more information go to <a href="http://www.P65Warnings.ca.gov">www.P65Warnings.ca.gov</a>
REACH Regulation	<a href="#">REACH Declaration</a>
EU RoHS Directive	Pro-active compliance (Product out of EU RoHS legal scope) <a href="#">EU RoHS Declaration</a>
Mercury free	Yes
RoHS exemption information	<a href="#">Yes</a>
China RoHS Regulation	<a href="#">China RoHS Declaration</a>
Environmental Disclosure	<a href="#">Product Environmental Profile</a>
WEEE	The product must be disposed on European Union markets following specific waste collection and never end up in rubbish bins.

## Contractual warranty

Warranty	18 months
----------	-----------

Approximate Dimensions



Panel Thickness E dim. in. [mm]	Number of Gasket
1/16 [1.6]	4
1/8 (3.2)	3
3/16 (4.8)	2
1/4 (6.4)	1

in.  
[mm]

Product Life Status : **Commercialised**